

# TABLE OF CONTENTS

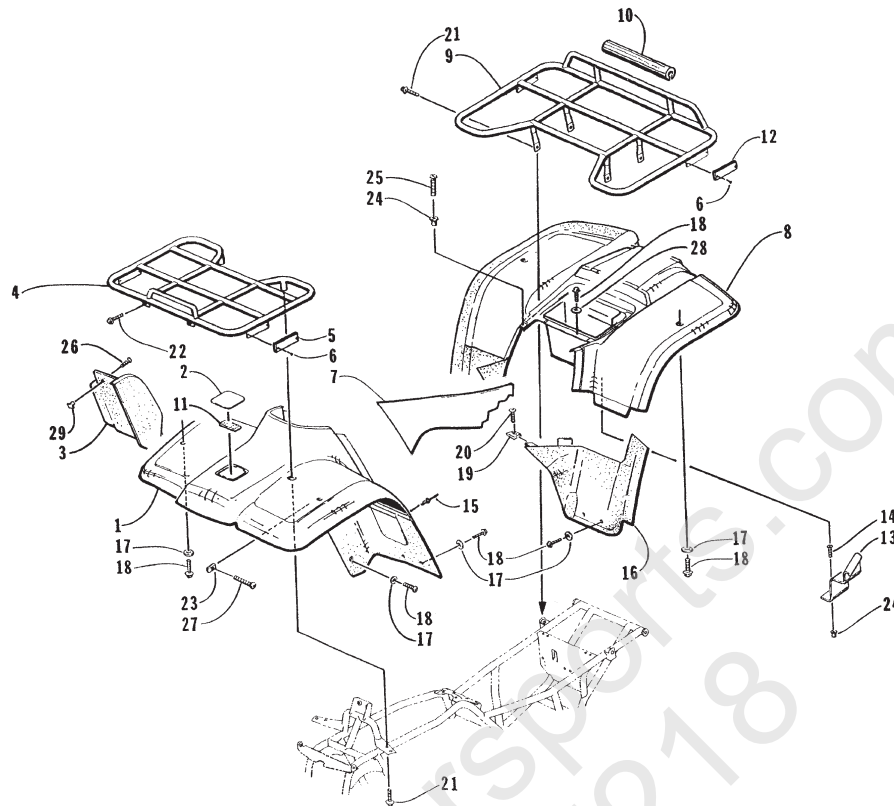
## 1999 ATV 400 2x4

(Model No. 99A2E-AP)

BODY PANEL ASSEMBLY . . . . .	1 . . . . .	D9
CRANKCASE ASSEMBLY . . . . .	5 . . . . .	D13
DECALS . . . . .	2 . . . . .	D10
ENGINE AND EXHAUST . . . . .	4 . . . . .	D12
FRONT SUSPENSION ASSEMBLY . . . . .	3 . . . . .	D11
RELATED ITEMS . . . . .		D7
SECONDARY DRIVE ASSEMBLY . . . . .	8 . . . . .	E2
SECONDARY TRANSMISSION ASSEMBLY . . . . .	7 . . . . .	E1
SHIFTER ASSEMBLY . . . . .	9 . . . . .	E3
STARTER CLUTCH ASSEMBLY . . . . .	6 . . . . .	D14

■ **NOTE:** For a complete illustrated parts breakdown of the 1999 400 ATV 2x4, this Addendum must be used in conjunction with the 1999 400/500 4x4 ATV Illustrated Parts Manual (p/n 2256-090).

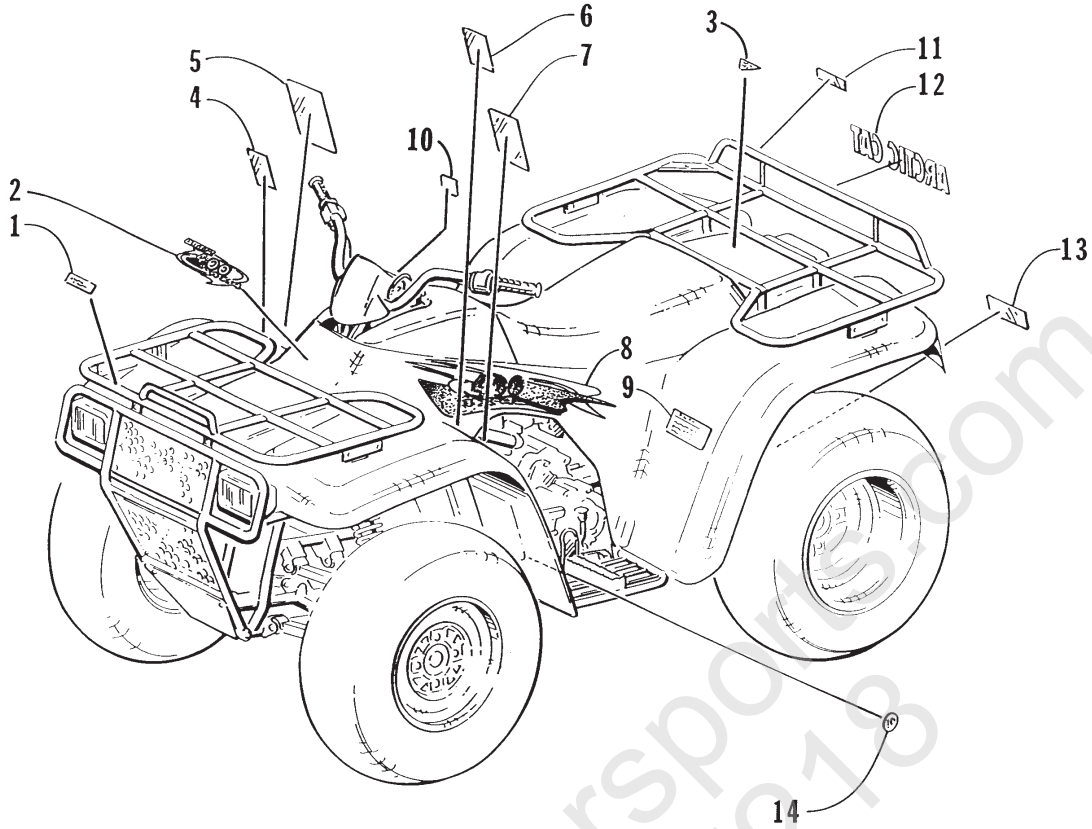
■ **NOTE:** The illustrations used in this Parts Manual Addendum are for reference to replacement part numbers only and are not to be used for assembly. For assembly procedures, use an Arctic Cat Service Manual. Underlined part numbers are new for the 1999 model year.



## BODY PANEL ASSEMBLY

0733-780

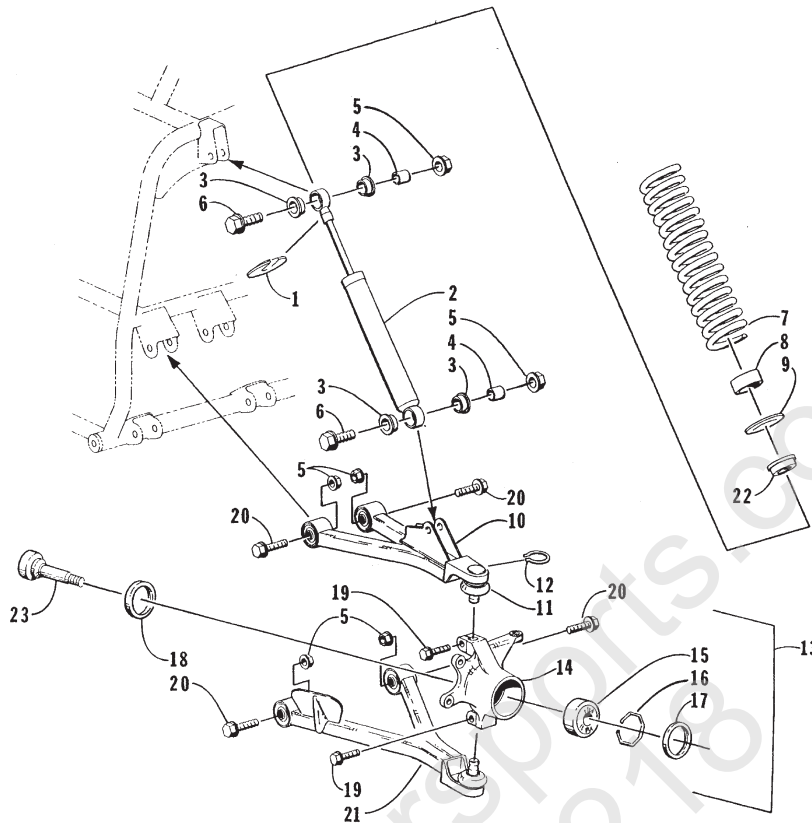
Ref.	Part No.	Qty.	Description	Ref.	Part No.	Qty.	Description
1	0506-266	1	Panel, Fender - Front	15	0423-046	8	Rivet, Plastic
2	0506-265	1	Cover, Access	16	0406-084	1	Fender Extension - Rear Right
3	0406-140	1	Flare - Front Right	0406-085	1	Fender Extension - Rear Left	
	0406-141	1	Flare - Front Left	17	0423-010	16	Washer, Body
4	0506-191	1	Rack - Front	18	8474-616	17	Screw, Machine
5	0606-526	2	Reflector, Front - Yellow	19	0423-060	2	Clip, Tinerman
6	0623-269	8	Clip, Retaining	20	0623-309	2	Screw, Self-Tapping
7	0506-268	1	Panel, Side - Right	21	8409-020	6	Screw, Cap
	0506-269	1	Panel, Side - Left	22	8408-812	2	Screw, Cap
8	0506-267	1	Panel, Fender - Rear	23	0423-031	2	Nut, Speed
9	0506-190	1	Rack - Rear	24	0123-010	3	Nut, Expansion
10	0406-293	1	Wrap, Tube - Rear Rack	25	0423-068	2	Screw, Machine
11	0417-002	1	Foam, Access Panel	26	8477-610	4	Screw, Machine
12	0606-029	2	Reflector, Rear - Red	27	8477-616	2	Screw, Machine
13	0406-297	1	Plate, Heat - Rear Panel	28	0623-184	1	Washer
14	0123-549	1	Screw, Machine	29	0423-074	4	T-Nut



## DECALS

0733-782

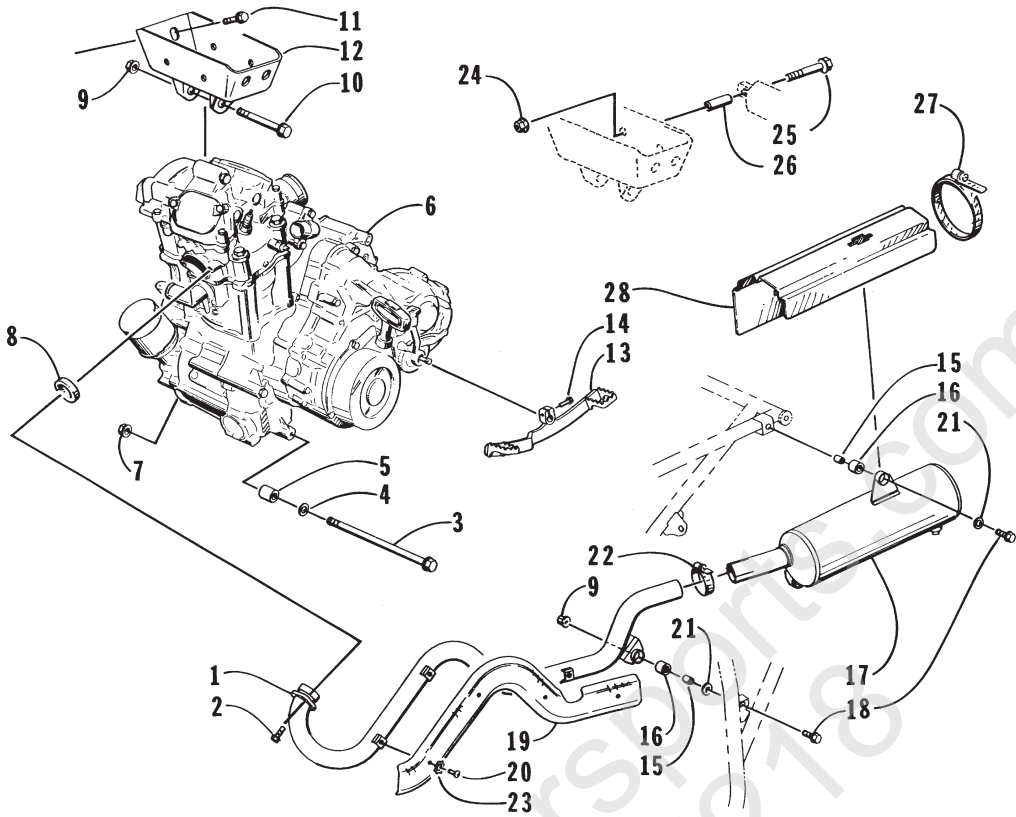
Ref. Part No.	Qty.	Description	Ref. Part No.	Qty.	Description		
1	0411-098	1	Decal, Warning - Front Rack Load	9	0411-123	1	Decal, Warning - Tire Pressure
2	0411-117	1	Decal, Front	10	0411-127	1	Decal, Fuel Valve
3	3611-002	1	Decal, "Made In U.S.A."	11	0411-099	1	Decal, Warning - Rear Rack Load
4	0411-045	1	Decal, Warning - Turn	12	0411-043	1	Decal, "Arctic Cat"
5	0411-008	1	Decal, Warning Reverse/Pre-Ride	13	0411-013	1	Decal, Warning - Towing
6	0411-040	1	Decal, Warning - Age	14	0411-003	1	Decal, Shift Pattern
7	0411-010	1	Decal, Warning - General				
8	0411-118	1	Decal, Side - Right				
	0411-119	1	Decal, Side - Left				



## FRONT SUSPENSION ASSEMBLY

0733-812

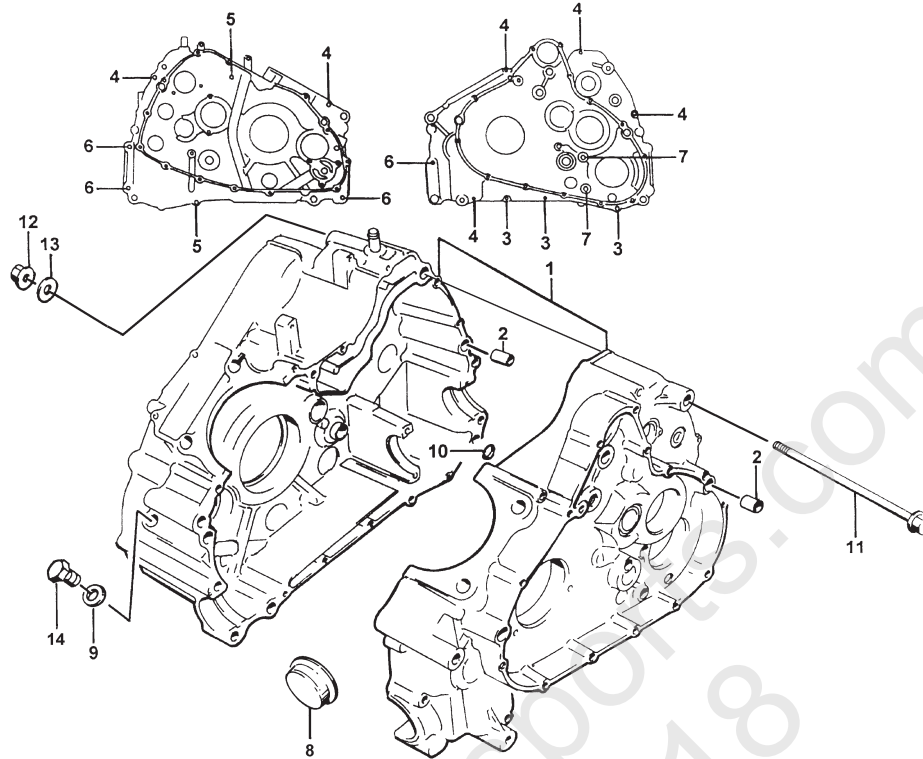
Ref.	Part No.	Qty.	Description	Ref.	Part No.	Qty.	Description
1	0603-033	2	Retainer, Spring	13	0505-032	1	Knuckle - Assembly - Right (inc. 14 and one No. 15-18)
2	0403-034	2	Shock Absorber - Front (inc. 3-4)		0505-033	1	Knuckle - Assembly - Left (inc. 14 and one No. 15-18)
3	0604-310	8	• Bushing, Shock Absorber	14	0505-030	1	• Knuckle, Steering - Right
4	0403-028	4	• Sleeve, Shock		0505-031	1	• Knuckle, Steering - Left
5	8428-002	12	Nut, Lock	15	0402-085	2	• Bearing, Wheel Hub - Front
6	8409-040	4	Screw, Cap	16	0423-034	2	• Clip, Bearing
7	0403-002	2	Spring, Shock Absorber	17	0402-089	2	• Seal, Wheel Bearing - Front
8	0403-025	2	Collar, Spring	18	0402-069	2	• Seal, Wheel Bearing - Front
9	0403-013	2	Washer, Spring	19	8409-030	4	Screw, Cap
10	0503-026	1	A-Arm, Upper Right - Assembly (inc. one No. 11-12)	20	8409-060	8	Screw, Cap
	0503-027	1	A-Arm, Upper Left - Assembly (inc. one No. 11-12)	21	0503-007	2	A-Arm, Lower (inc. one No. 11-12)
11	0405-001	4	• Ball Joint - Front	22	0403-027	2	Retainer, Spring - Lower
12	0423-009	4	• Clip, Ball Joint	23	0402-183	2	Axle, Stub



## ENGINE AND EXHAUST

0733-371

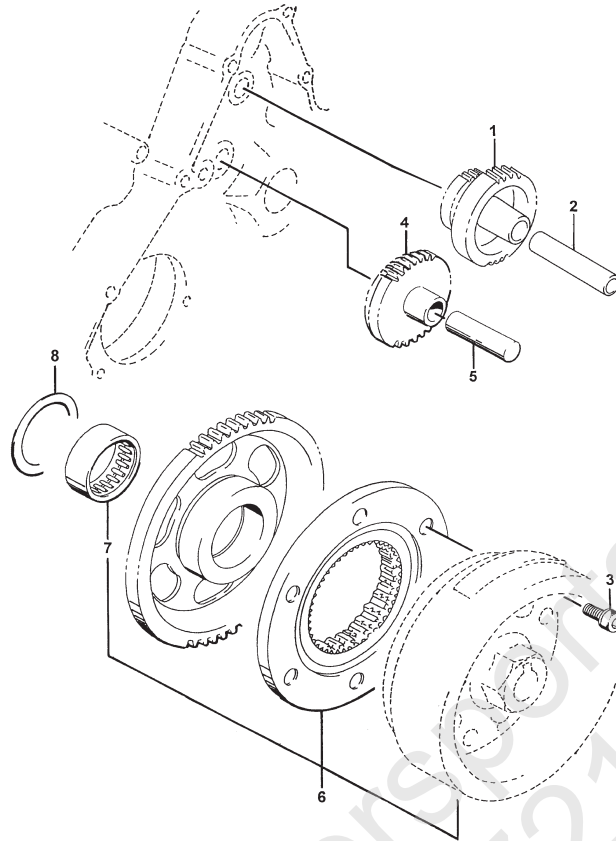
Ref.	Part No.	Qty.	Description	Ref.	Part No.	Qty.	Description
1	0512-001	1	Pipe, Exhaust	15	0412-003	3	Spacer, Exhaust
2	8408-820	2	Screw, Cap	16	0412-004	3	Bushing, Rubber
3	3423-009	3	Bolt	17	0412-005	1	Muffler
4	0423-050	3	Washer, Engine Mount	18	8408-830	3	Screw, Cap
5	0423-042	1	Spacer, Engine Mount	19	0406-224	1	Cover, Exhaust
6	0462-008	1	Engine	20	8477-610	4	Screw, Machine
7	8428-002	2	Nut, Lock	21	8050-252	3	Washer
8	0412-007	1	Seal, Exhaust	22	0214-015	1	Clamp
9	8424-802	2	Nut	23	8053-211	4	Washer, Star
10	8408-860	1	Screw, Cap	24	8424-602	2	Nut
11	8408-816	4	Screw, Cap	25	8476-640	2	Screw, Machine
12	0506-083	1	Bracket, Upper Engine	26	0107-630	2	Spacer
13	0502-016	1	Lever, Shift	27	0423-079	2	Clamp
14	8476-620	1	Screw, Machine	28	0406-298	1	Plate, Heat - Muffler



## CRANKCASE ASSEMBLY

0732-935

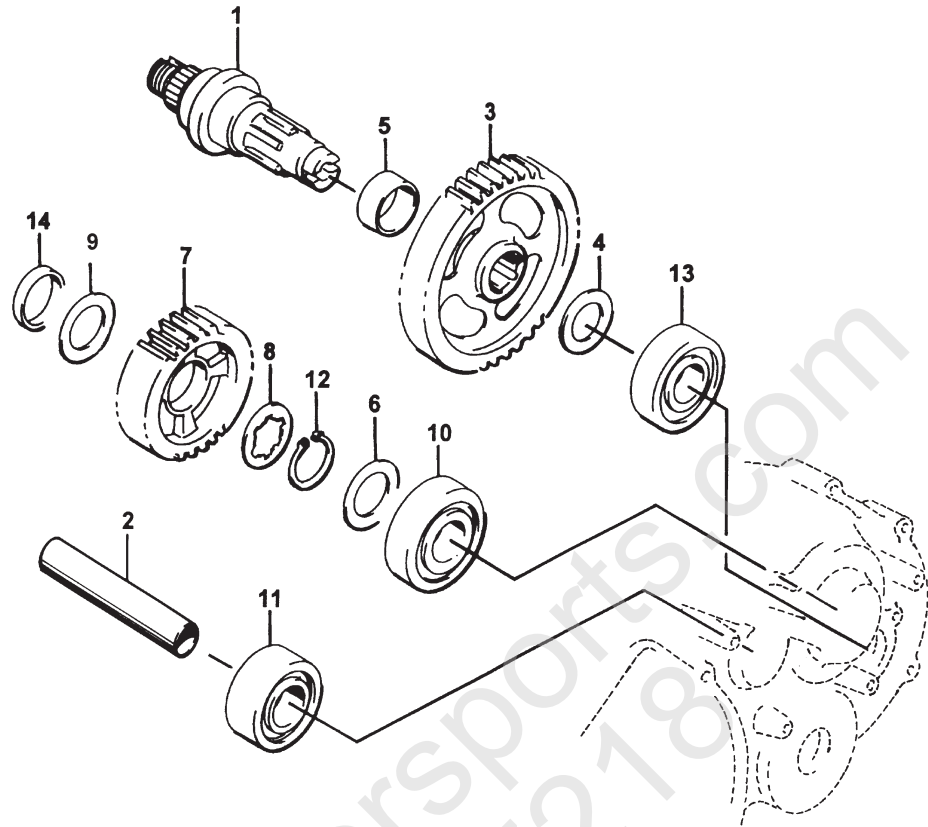
Ref.	Part No.	Qty.	Description	Ref.	Part No.	Qty.	Description
1	3402-337	1	Crankcase Assembly (inc. 2-8)	8	3423-208	1	● Plug
2	3423-088	4	● Pin	9	3402-011	1	Gasket
3	3423-091	3	● Bolt	10	3423-052	1	O-Ring
4	3423-092	6	● Bolt	11	3423-009	3	Bolt
5	3423-094	2	● Bolt	12	3423-024	3	Nut
6	0693-303	4	● Bolt	13	3004-278	3	Washer
7	3423-093	2	● Bolt	14	3423-095	1	Plug, Oil Gallery



## STARTER CLUTCH ASSEMBLY

0733-822

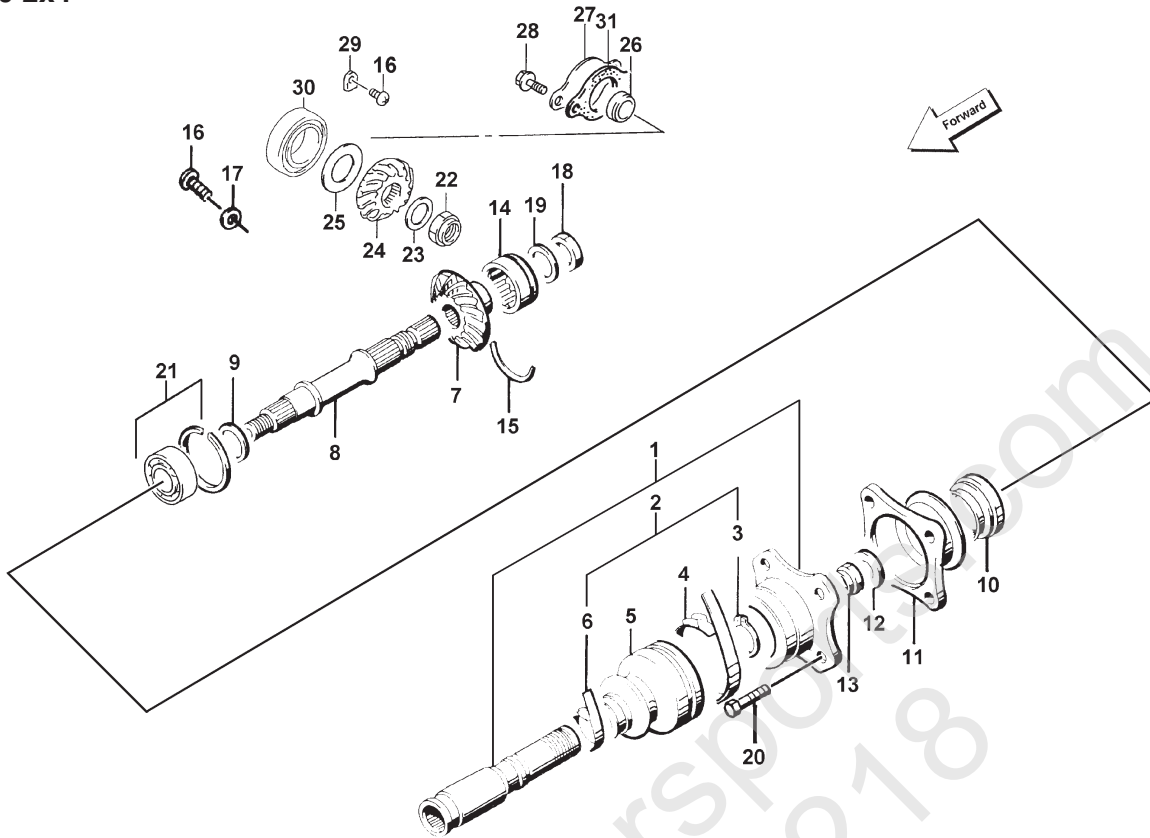
Ref.	Part No.	Qty.	Description	Ref.	Part No.	Qty.	Description
1	3402-344	1	Gear, Starter Idle	5	3423-042	1	Pin, Starter Idle
2	3423-331	1	Pin	6	3402-122	1	Clutch, Starter - Set (inc. 7)
3	3423-102	6	Screw, Cap	7	3402-063	1	• Bearing
4	3402-124	1	Gear, Starter Idle	8	3423-104	1	Washer



## SECONDARY TRANSMISSION ASSEMBLY

0732-936

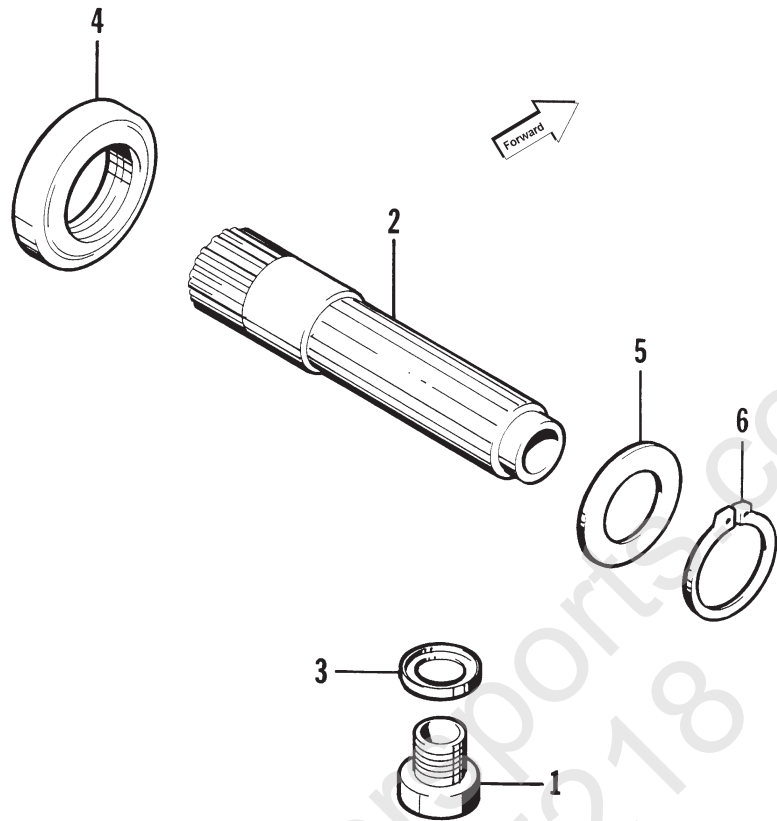
Ref.	Part No.	Qty.	Description	Ref.	Part No.	Qty.	Description
1	3446-224	1	Shaft, Output	8	3423-036	1	Washer
2	3446-109	1	Spacer, Idle Gear	9	3423-209	1	Washer
3	3446-072	1	Gear, Driven	10	3402-046	1	Bearing, Driveshaft - Left
4	3423-150	1	Washer	11	3402-047	1	Bearing, Center Shaft - Left
5	3402-015	1	Spacer, Drive	12	3423-066	1	Circlip
6	3402-194	1	Washer	13	3402-045	1	Bearing
7	3446-110	1	Gear, Drive No. 1	14	3446-068	1	Spacer



## SECONDARY DRIVE ASSEMBLY

0733-824

Ref.	Part No.	Qty.	Description	Ref.	Part No.	Qty.	Description
1	3435-010	1	Joint Assembly, Rear Output (inc. 2-6)	11	3435-003	1	Flange, Output Joint
2	3435-066	1	● Boot Set, Joint (inc. 3-6)	12	3423-028	2	Washer, Rear Output Flange
3	3423-210	1	●● Ring, Snap	13	3423-025	1	Nut
4	3423-211	1	●● Clamp	14	3402-062	1	Bearing
5	3435-067	1	●● Boot	15	3423-072	1	C-Ring
6	3423-212	1	●● Clamp	16	3004-552	4	Screw
7	3446-222	1	Gear, Secondary Driven Bevel	17	3423-135	2	Retainer
8	3446-037	1	Shaft - Rear	18	3423-136	1	Nut, Secondary Driven Gear
9	3402-017	AR	Shim, 25 x 34 x 0.60 mm	19	3423-137	1	Washer
	3402-018	AR	Shim, 25 x 34 x 0.65 mm	20	8408-820	4	Screw, Cap
	3402-019	AR	Shim, 25 x 34 x 0.700 mm	21	3402-067	1	Bearing, Secondary Driven Shaft
	3402-020	AR	Shim, 25 x 34 x 0.75 mm	22	3423-023	1	Nut
	3402-021	AR	Shim, 25 x 34 x 0.80 mm	23	3423-032	1	Washer
	3402-022	AR	Shim, 25 x 34 x 0.85 mm	24	3446-221	1	Gear, Secondary Drive Bevel
	3402-023	AR	Shim, 25 x 34 x 0.90 mm	25	3446-035	1	Shim Set
	3402-024	AR	Shim, 25 x 34 x 0.95 mm	26	3402-255	1	Plug, Transfer Cover Hole
	3402-025	AR	Shim, 25 x 34 x 1 mm	27	3446-153	1	Retainer, Transfer Cover
	3402-028	AR	Shim, 25 x 34 x 1.05 mm	28	3423-169	2	Bolt
	3402-029	AR	Shim, 25 x 34 x 1.10 mm	29	3446-031	2	Retainer, Secondary Drive Shaft Bearing
	3402-030	AR	Shim, 25 x 34 x 1.15 mm	30	3402-180	1	Bearing, Sub Transmission
	3402-031	AR	Shim, 25 x 34 x 1.20 mm	31	3446-231	1	Gasket, Retainer Cover
10	3402-072	2	Seal, Oil				



### SHIFTER ASSEMBLY

0732-938

Ref.	Part No.	Qty.	Description	Ref.	Part No.	Qty.	Description
1	3446-046	1	Plug, Oil	4	3402-071	1	Seal, Oil
2	3446-225	1	Guide, Gear Shift Shaft	5	3005-167	1	Washer, Thrust
3	3402-012	1	Gasket, Oil Plug	6	3423-193	1	Circlip